

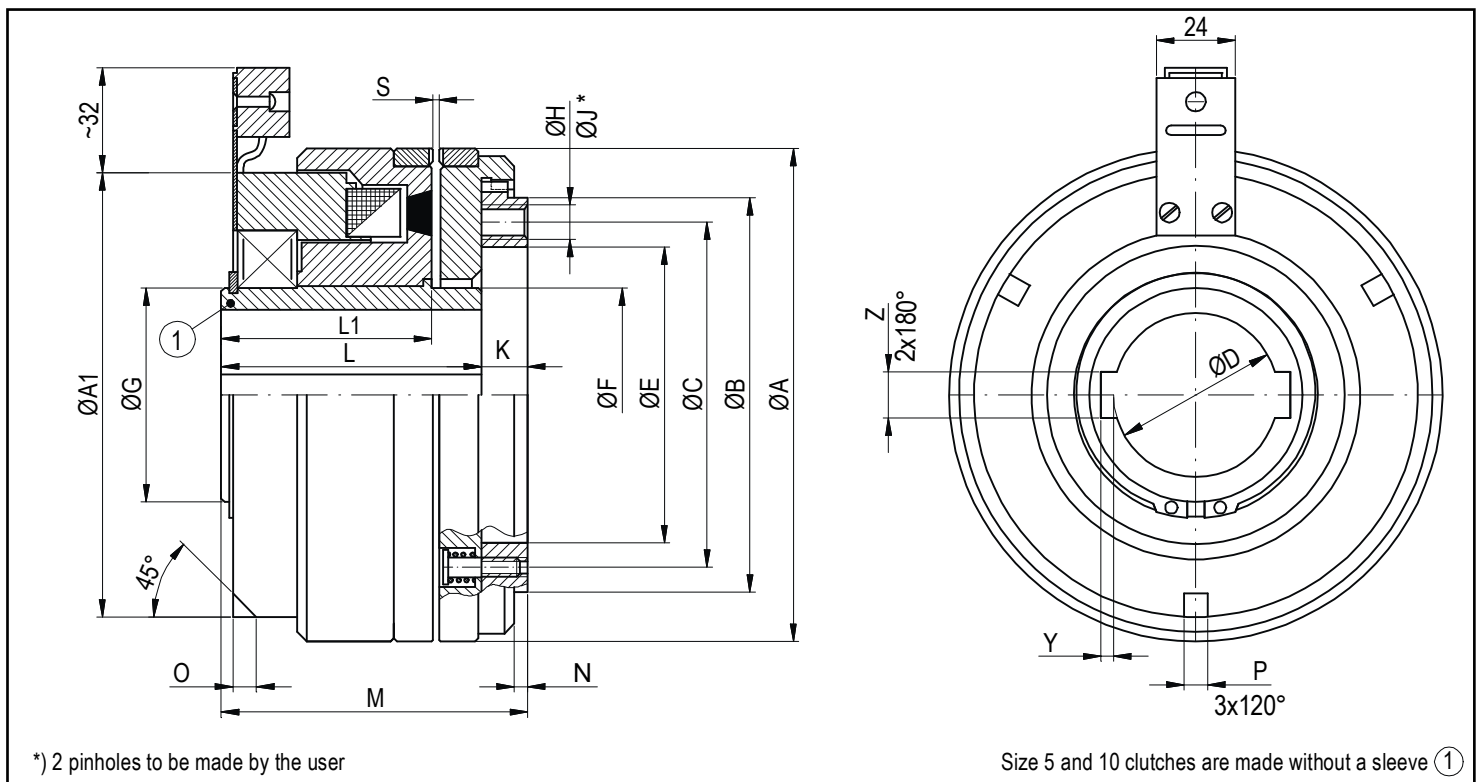
TOOTH CLUTCHES EZM3-... EZM4-...

2015

EZM3-... tooth clutches designed for dry work

EZM4-... tooth clutches designed to work in oil

Operated at 24 V DC. In order to protect the clutch coil from a breakdown, a quenching member should be used in the supply system, e.g. a resistor connected in parallel (the resistance of which should be approx. 10 times higher than the resistance of the coil), a semiconductor diode, or a resistor and a diode. The clutch may be engaged only when the relative speed of both rings is equal to zero or during synchronous rotation. The clutch may be disengaged at any rotational speed or under any load.



Size	Torque [Nm]	Coil power [W]	Max. speed [min ⁻¹]	Dimensions [mm]																			
				A	A1	B	C	D _{max} [H7]	E [H7]	F	G	H	J	K	L	L1	M	N	O	P	S	Y	Z [H9]
5	50	14	5000	65	65	45	38	18	30	-	25	3xM5	2x5	5,5	-	40/44	52(56)	1,5	4	4	0,3	1,9	5
10	100	21	4500	80	80	64	55	25	45	-	35	3xM6	2x6	7,5	-	43/48	61(66)	2,5	5	5	0,4	2,3	6
20	200	33	3500	100	91	80	66	30	52	40	40	3xM8	2x6	9	63(69)	-	72(78)	2,5	6	6	0,5	2,6	8
40	400	37	3000	120	110	93	79	40	65	50	55	6xM8	2x8	10	69(76)	-	79(86)	3	6	6	0,5	3,3	10
80	800	46	2500	150	135	120	105	50	90	65	65	6xM10	2x8	14	71(78)	-	85(92)	4	6	6	0,6	3,8	14
160	1600	63	2000	190	171	150	130	70	110	96	100	6xM10	2x10	15	90	-	105	4	-	-	0,6	4,4	18

Please note that dimension "D" is made at the customer's request (groove dimension according to PNM-85005)

() dimensions in brackets relate to the EZM3-... clutch

The following clutch details should be provided in your order (example)

Clutch EZM3-80-40-24

clutch type and size

"D" dimension of the mounting hole

supply voltage

The manufacturer reserves the right to modify the products in order to improve their quality